


REEDSTER V - OKJ - 2023

pos	code	description
0	202.201	Engine REEDSTER V 040/EJ/87 – OKJ



The image shows a REEDSTER V 040/EJ/87 – OKJ engine, a compact and powerful outboard motor. The engine is primarily silver with blue accents on the upper cover, the lower unit, and the propeller. The 'iame' logo is visible on the upper cover and the lower unit. The engine is shown from a three-quarter perspective, highlighting its complex internal components and the cooling system. The background is plain white, emphasizing the engine's design.

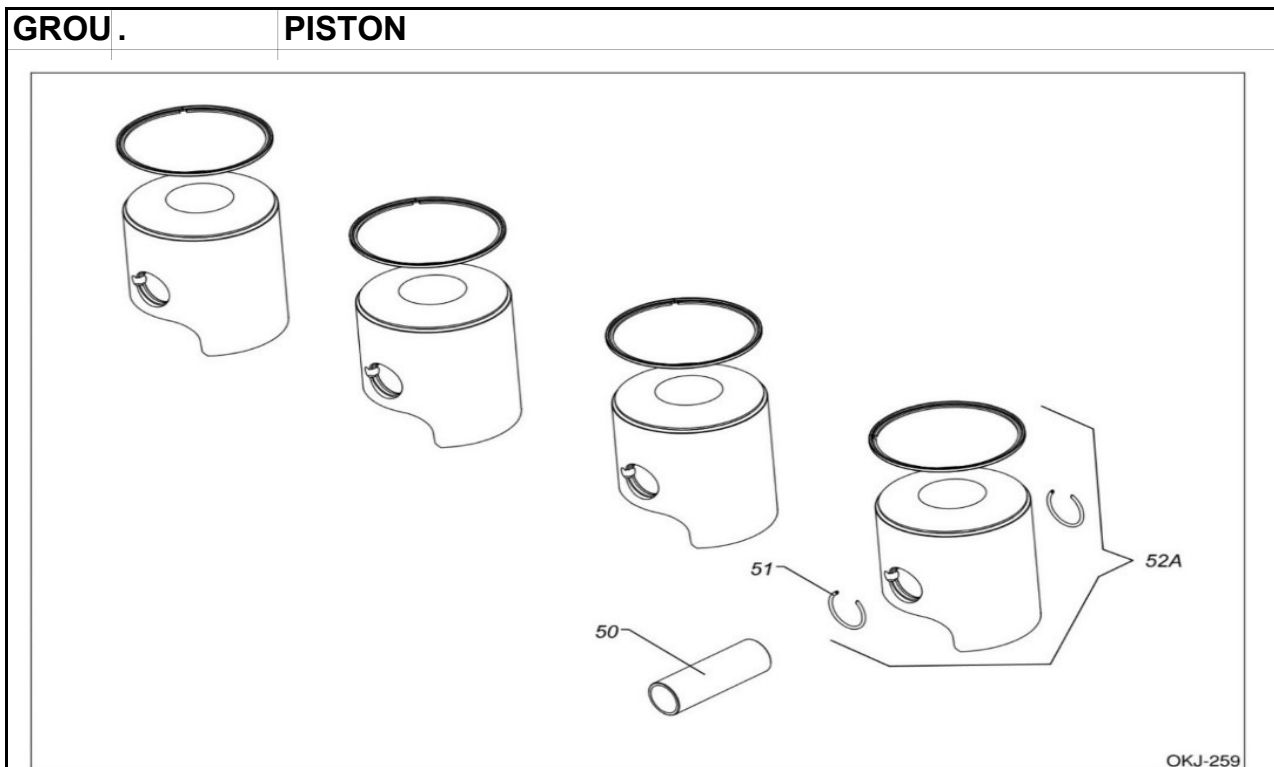
REEDSTER V - OKJ - 2023

GROUP		CYLINDER & CYLINDER HEAD
OKJ-901		
001	212.601	Cylinder head cover Reedster V OK / OKJ 2019
001A	#N/B	#N/B
002	212.605	Decompressor >OK / OKJ<
003	#N/B	#N/B
004	900.299	Allen screws 6x10 -INOX- kit
005	282.200	Cupper gasket 6mm
006	213.226	Pipe fitting cylinder head OK - OKJ 2019 / Screamer
007	214.765	Head O-Ring 2400 101.32x1.78
008	214.740	HEAD GASKET INT. Reedster OK / KZ
009	212.609	Cilinderkop >Reedster V - OKJ<
010	212.616	Head nut m7 Inox OK / OKJ '19 / Screamer
011	212.617	Cylinder head / cover O-ring OK / OKJ
012	#N/B	#N/B
013	214.525	Exhaust spacer Reedster V OKJ 2019
014	265.212	Exhaust manifold >Reedster V OKJ<
015	265.215	Exhaust manifold springs bracket >OK / OKJ<
016	900.081	Exhaust washers M6 >EXHAUST<
017	900.301	Hexagon socket bolt 6x20
018	211.201	Flanged nut M8 OK / OKJ 2019 / Screamer
019	214.100	Base gasket Reedster OK / OKJ 0,05
019	214.101	Base gasket Reedster OK / OKJ 0,10
019	214.102	Base gasket Reedster OK / OKJ 0,20
019	214.103	Base gasket Reedster OK / OKJ 0,30
019	214.104	Base gasket Reedster OK / OKJ 0,40
019	214.105	Base gasket Reedster OK / OKJ 0,50
020	276.211	Cylinder stud M7x39 >Reedster V / Screamer<

REEDSTER V - OKJ - 2023

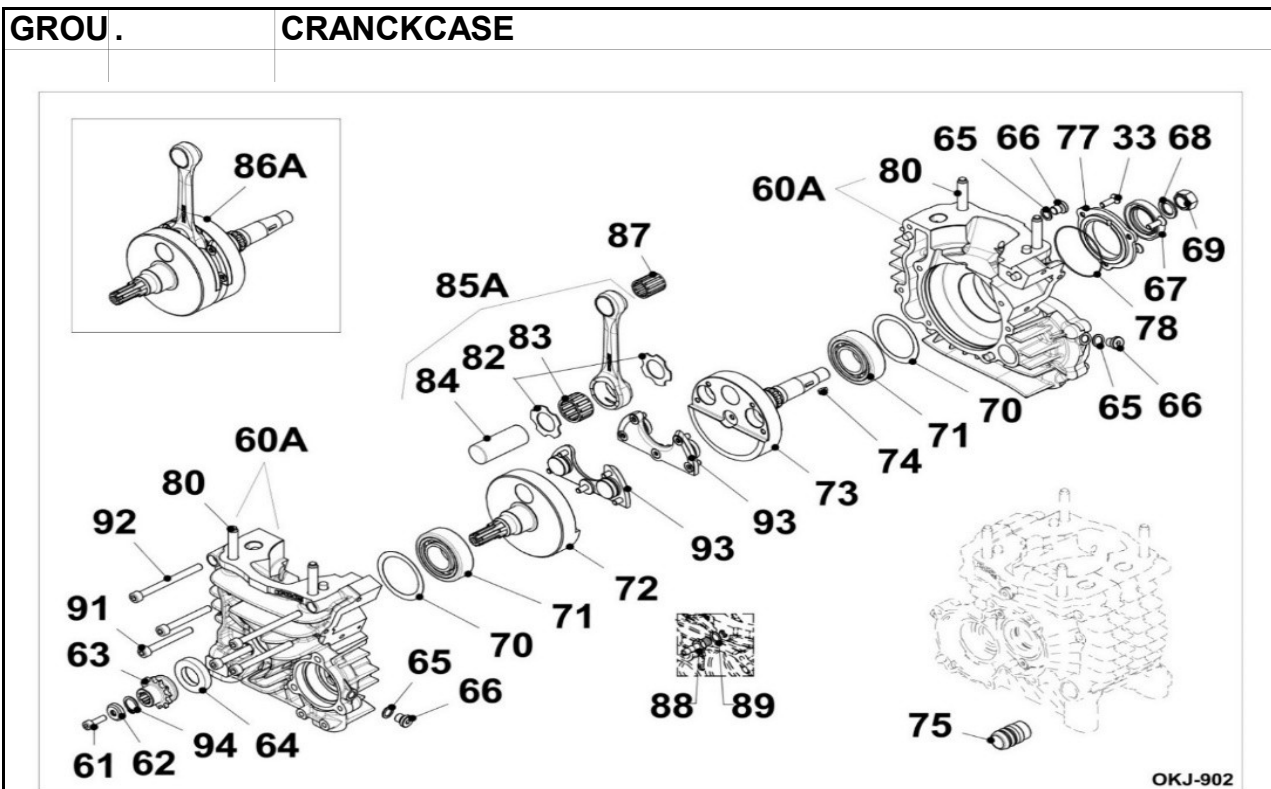
024	214.718	Cylinder Head Gasket Reedster / OK / KZ 0.025
024	214.715	Cylinder Head Gasket Reedster / OK / KZ> 0.05
024	214.716	Cylinder Head Gasket Reedster / OK / KZ 0.10mm
024	214.717	Cylinder Head Gasket Reedster / OK / KZ 0.20
25a	#N/B	#N/B
	.	

REEDSTER V - OKJ - 2023



050	217.202	Pistonpin >Reedster OKJ<
051	218.200	Circlip piston pin >X30 Super-Shifter-OK< >15mm<
052A	216.350	Piston + ring OKJ 53.77V
052A	216.352	Piston + ring OKJ 53.79V
052A	216.354	Piston + ring OKJ 53.81V
052A	216.356	Piston + ring OKJ 53.83V
052A	216.358	Piston + ring OKJ 53.85V
052A	216.360	Piston + ring OKJ 53.87V
052A	216.362	Piston + ring OKJ 53.89V
052A	216.364	Piston + ring OKJ 53.91V
052A	216.366	Piston + ring OKJ 53.93V
052A	#N/B	#N/B
052A	216.353	Piston + ring OKJ 53.79R
052A	216.359	Piston + ring OKJ 53.85R

REEDSTER V - OKJ - 2023

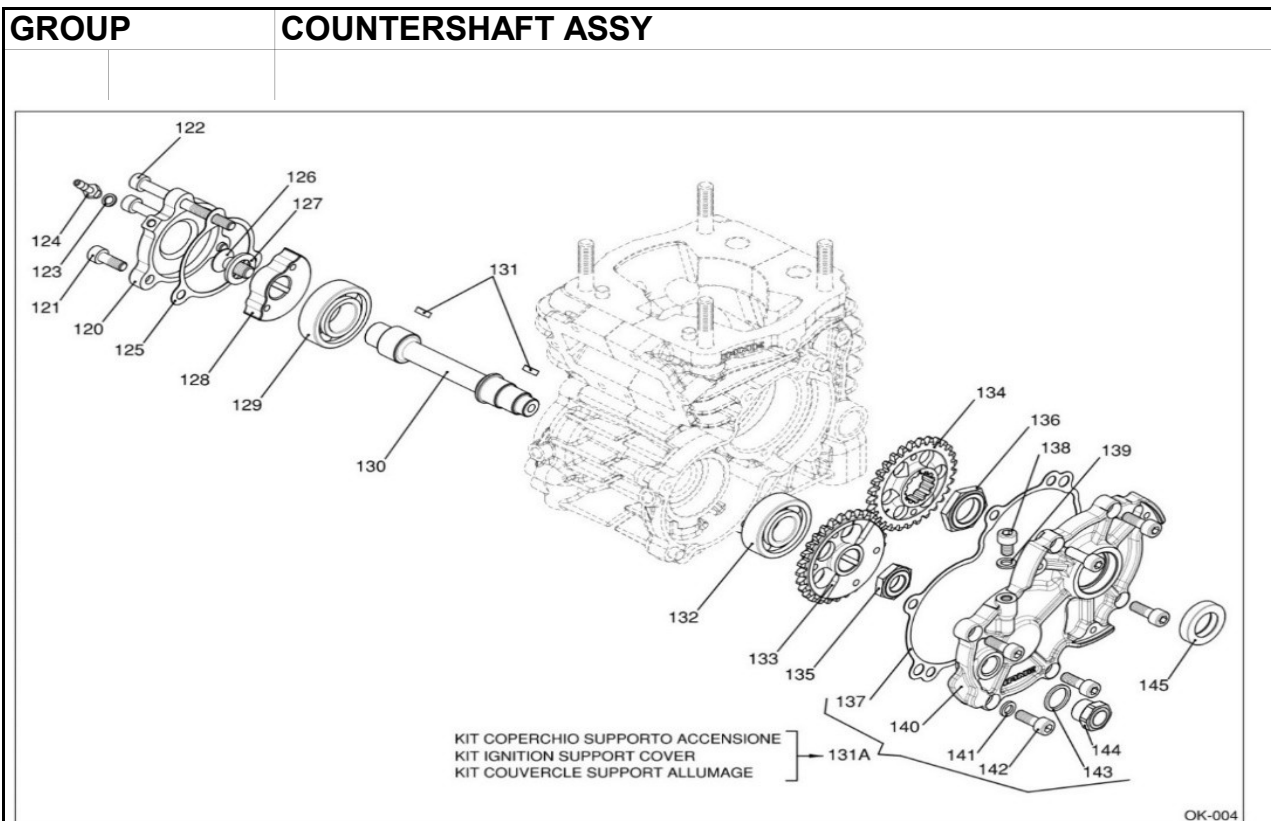


033	900.290	Screw TS TORX 5x16
060A	#N/B	#N/B
061	243.592	Allen screw M5x16
062	243.590	Shoulder shim sprocket Reedster >OK / OKJ<
063	243.007	Sprocket Reedster OK / OKJ 11-T
063	243.009	Sprocket Reedster OK / OKJ 12-T
063	243.011	Sprocket Reedster OK / OKJ 13-T
063	243.003	Sprocket Reedster OK / OKJ 9-T
063	#N/B	#N/B
063	243.005	Sprocket Reedster OK / OKJ 10-T
064	#N/B	#N/B
065	228.110	Pressure fitting gasket 8mm >OK / X30 / KZ<
066	236.350	Oil plug >OK / KZ <
067	223.510	Oil seal 25x40x7 >Dr.+Magn. side< X30+KF+OK
068	290.880	Thrust washer internal 1.8mm
069	244.000	Sprocket / magneto nut (100 / 135cc)
070	KA38	STEEL SHIM 0.15
070	225.100	Shim 52x0.10
071	224.110	Crankshaft bearing roller type 6205 BC-1
072	226.511	Half crankshaft drive side >Reedster V OKJ<
073	226.516	Half crankshaft ignition side >Reedster V OKJ<
074	227.040	Key 3x3.7x9.66
075	213.220	Hose connection Parilla X30 - OK'19 - OKJ'19
077	236.335	Oil seal support >OK<
078	236.337	Oil seal support o-ring >OK<
080	276.200	Cylinder head stud M8x35 >S.Shifter / OK / OKJ / Screamer
082	KA44	SILVER BRONZE WASHER

REEDSTER V - OKJ - 2023

083	221.200	Big-end cage >X-30 / OK / KF / KZ<
084	220.106	Crankpin 20x48.8 OK-OKJ >S1699/1<
085A	219.400	Conrod compleet 104mm >OK / OKJ<
086A	226.146	Crankshaft complete >Reedster V OKJ<
087	277.205	Little end cage >X30 Shifter / KZ / OK<
088	282.304	Oil breather washer
089	282.306	Oil breather >OK<
091	900.239	Hexagon socket bolt 6x50
092	900.312	Allen screw 6X65
093	#N/B	#N/B
094	243.591	Seeger for front sprocket Reedster V

REEDSTER V - OKJ - 2023



120	#N/B	#N/B
121	900.301	Hexagon socket bolt 6x20
122	900.312	Allen screw 6X65
123	282.304	Oil breather washer
124	282.306	Oil breather >OK<
125	282.308	Balance mass cover gasket >OK - OKJ<
126	900.315	Countersunk screws 8x20
127	282.312	Balance mass washer (127) >OK - OKJ<
128	282.314	Balanced mass >OK<
129	224.020	Ball bearing balance shaft 6004 TN9/C4
130	282.318	Balance mass support shaft >OK / OKJ<
131	227.040	Key 3x3.7x9.66
131A	#N/B	#N/B
132	282.057	Ball bearing balance shaft 6203 >X30 Super / OK - OKJ<
133	282.322	Mass driven gear >OK - OKJ<
134	282.324	Gear crankshaft / balance shaft >OK - OKJ<
135	282.326	Mass gear nut >OK<
136	282.328	Locking nut gear crankshaft / balance shaft >OK<
137	282.330	Cover gasket ignition side >OK / OKJ<
138	900.298	Allen screws 6x10
139	282.200	Copper gasket 6mm
140	282.336	Gears cover >OK / OKJ<
141	282.200	Copper gasket 6mm
142	900.301	Hexagon socket bolt 6x20
144	299.685	Oil level gauge >OK-OKJ-KZ<
145	223.550	Oil seal Reedster 17X28X6 >OK / OKJ<

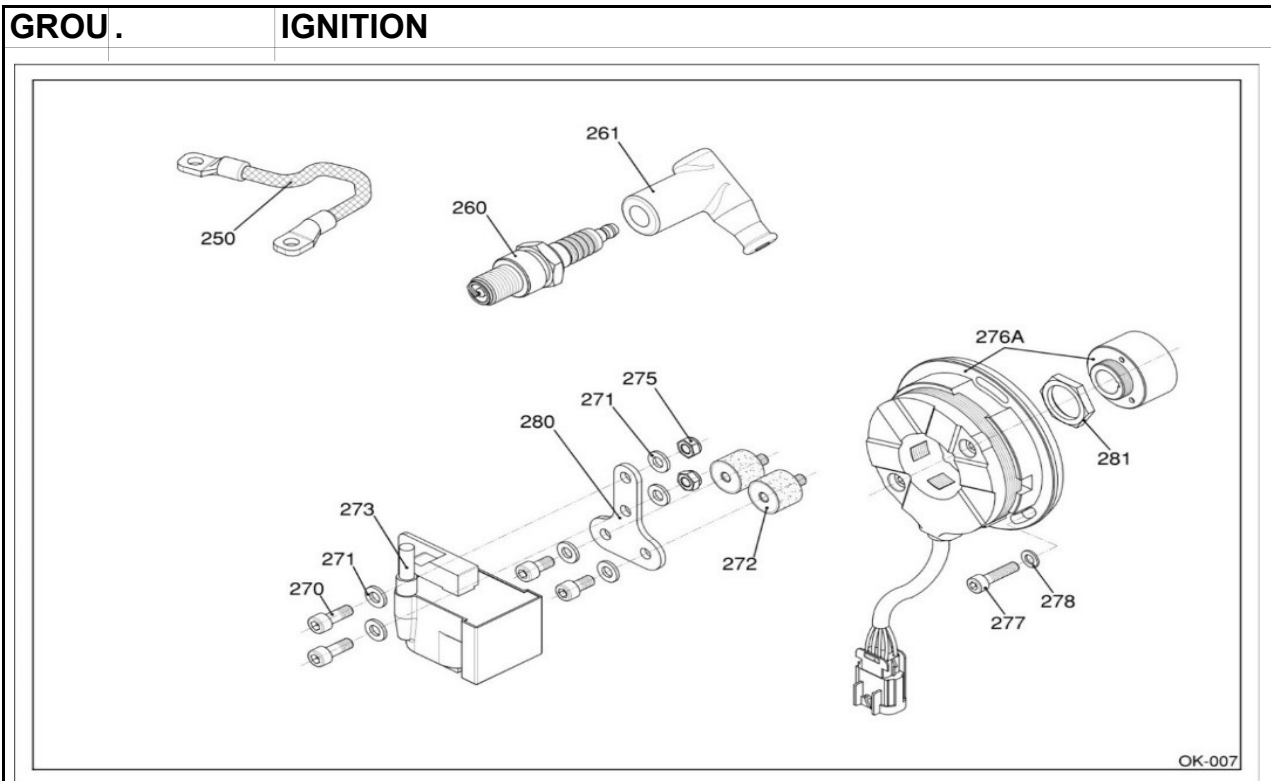
REEDSTER V - OKJ - 2023

	.	
--	---	--

REEDSTER V - OKJ - 2023

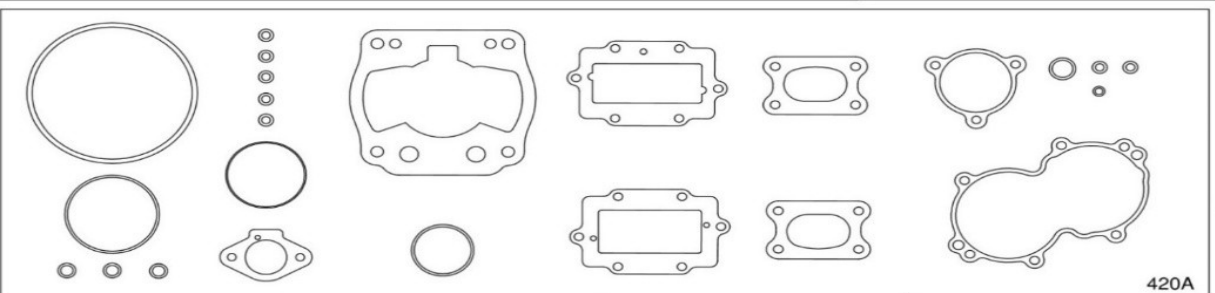
GROU.	INLET	
	OKJ-905	
168	228.115	Gasket reed block / crankcase >OK-OKJ<
169	228.400	Reed block flange holder >OK<
170	228.032	Conveyor >Reedster V OKJ<
171	228.260	Reed clip screw >X30<
172	228.255	Reed group clip >OK / OKJ<
173	228.270	Reed petal carbon -lower- >OKJ<
174	228.275	Reed petal carbon -upper- >OKJ<
175A	228.410	Reed group complete Reedster >OKJ<
176	228.117	Gasket reed group / conveyor >Reedster V OK-OKJ<
177	228.402	Reed Group insert >Reedster V OK-OKJ<
178	900.305	Hexagon socket bolt 6x35
179	266.015	Exhaust studbolt 6x34
180	354.060	Inlet gasket X30 28mm >RED<

REEDSTER V - OKJ - 2023

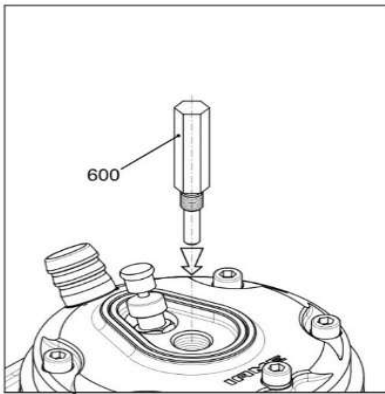
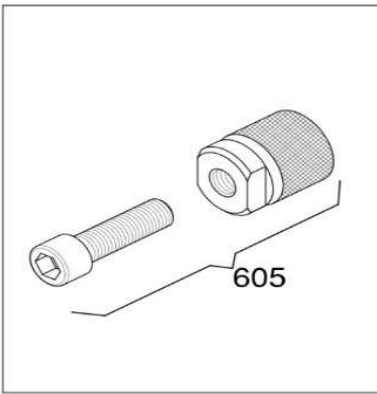
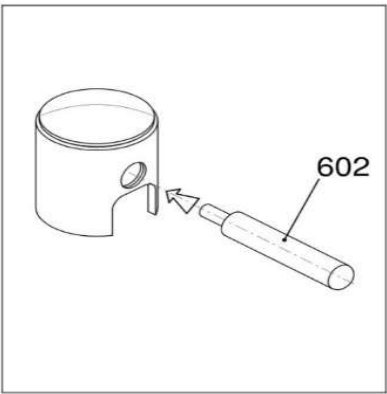
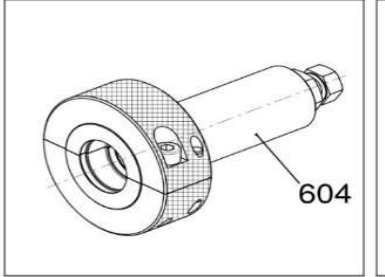
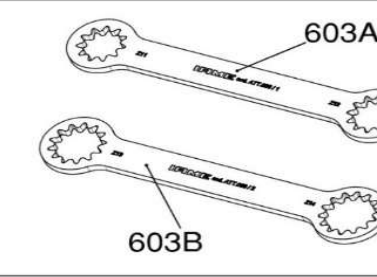
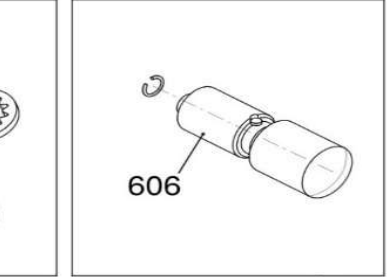


250	330.803	Ground cable Parilla all models
260	503.051	Spark plug >NGK BR10EG<
261	237.505	Spark plug cap PVL >X30 / MINI<
270	900.301	Hexagon socket bolt 6x20
271	900.004	Washer 6-12x1,5mm
272	335.108	Silent block battery support X30-2015 / OK
273	330.105	Coil electronic box Reedster >OKJ<
275	KA79	20 SELF LOCKING NUTS KIT M6
276A	330.110	Ignition PVL >OK / OKJ<
277	903.000	Kit 20 pcs. screws TCCE 5x20
278	330.114	Lock washer M5 for stator
279	330.115	Coil bracket >OK / OKJ<
281	226.512	Rotor security locking nut
	.	

REEDSTER V - OKJ - 2023

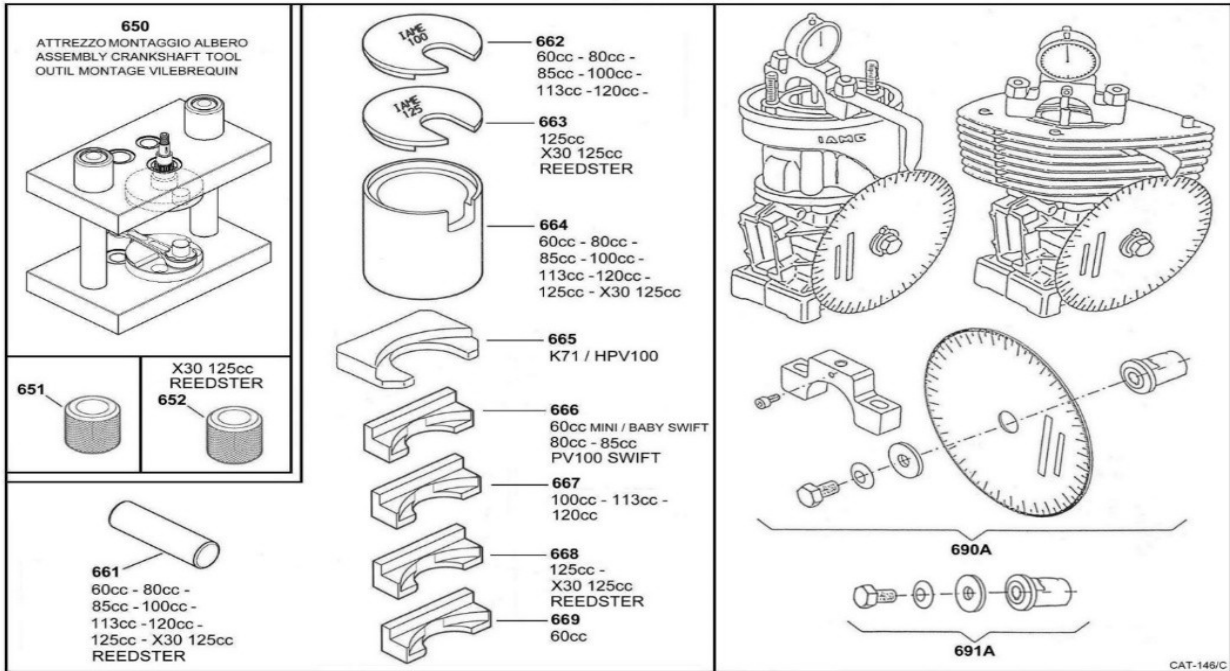
GROU.	EXHAUST SYSTEM & GASKETS	
		
	420A	Gasket set Reedster V OKJ
	430	Pipe fitting seal >IAME<
	440	PM Xeramic® Kart Gear Oil 1 l
	450	Silikon 250 special gasket
	460	Silencer end Parilla >OK<
	462	Exhaust spring >MRC-F3 / OK / GR-3<
	465A	Exhaust + silencer Reedster >OKJ<
	.	

REEDSTER V - OKJ - 2023

GROU.	TOOLS	
		
		
600	KA82	PISTON STROKE LOCKER
601A	573.515	Gear puller balance shaft >REEDSTER KF<
602	574.035	Piston pin punch >15mm Super Shifter<
603A	#N/B	#N/B
603B	#N/B	#N/B
604	573.520	Bearing ring puller 6205
605	572.045	Ignition puller PVL >REEDSTER OK / OKJ<
606	574.037	Circlip assembly tool 15mm
.	.	.

REEDSTER V - OKJ - 2023

GROUP Cranksh.Ass./Disass. Timing control group



CAT-148/C

650	574.101	Crankshaft assembly tool
652	574.103	Crankpin bush >X-30 - KF - KZ<
661	574.104	Crankpin pusher
663	574.117	Crankshaft plate >X-30 / KF / KZ<
664	574.115	Crankshaft disassembling tool without plate
668	#N/B	#N/B
690A	KA86	TIMING CHECK DISC TaG/REEDSTER
691A	#N/B	#N/B