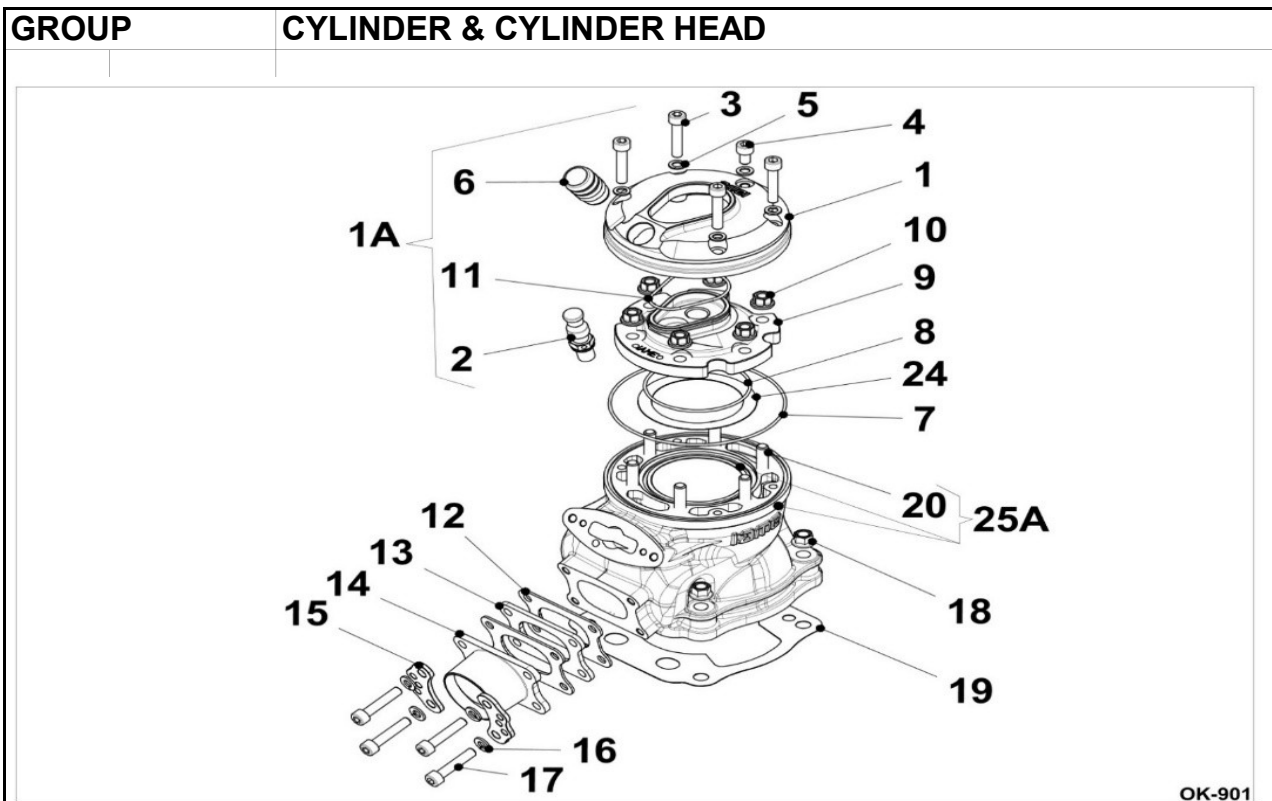


Reedster V OK_2023

pos	code	description
0	202.060	Engine REEDSTER V 040/ES/66 – OK



Reedster V OK_2023

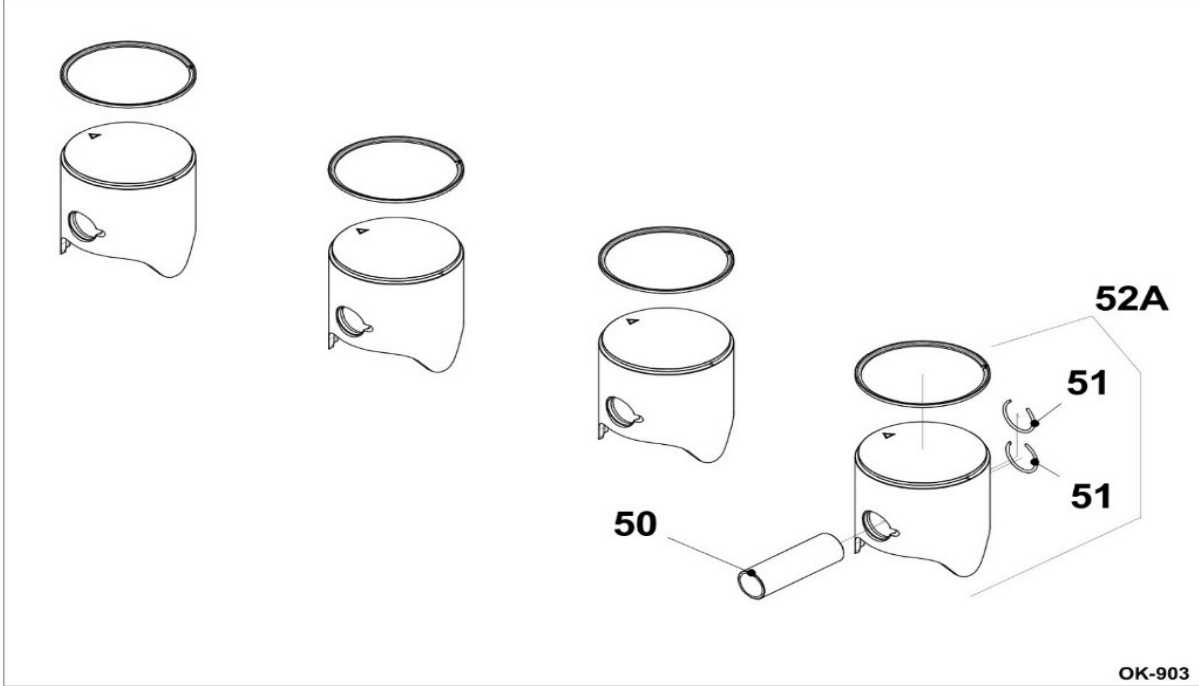


	#N/B	#N/B
01	212.601	Cylinder head cover Reedster V OK / OKJ 2019
02	212.605	Decompressor >OK / OKJ<
03	#N/B	#N/B
04	900.299	Allen screws 6x10 -INOX- kit
05	282.200	Copper gasket 6mm
06	213.226	Pipe fitting cylinder head OK - OKJ 2019 / Screamer
07	214.765	Head O-Ring 2400 101.32x1.78
08	214.740	HEAD GASKET INT. Reedster OK / KZ
09	212.611	Cylinder head Reedster V OK
10	212.616	Head nut m7 Inox OK / OKJ '19 / Screamer
11	212.617	Cylinder head / cover O-ring OK / OKJ
12	#N/B	#N/B
13	214.523	Exhaust spacer >Reedster V OK<
14	265.211	Exhaust manifold >Reedster V OK<
15	265.215	Exhaust manifold springs bracket >OK / OKJ<
16	900.081	Exhaust washers M6 >EXHAUST<
17	900.301	Hexagon socket bolt 6x20
18	211.201	Flanged nut M8 OK / OKJ 2019 / Screamer
19	214.100	Base gasket Reedster OK / OKJ 0,05
19	214.101	Base gasket Reedster OK / OKJ 0,10
19	214.102	Base gasket Reedster OK / OKJ 0,20
19	214.103	Base gasket Reedster OK / OKJ 0,30
19	214.104	Base gasket Reedster OK / OKJ 0,40
19	214.105	Base gasket Reedster OK / OKJ 0,50
20	276.211	Cylinder stud M7x39 >Reedster V / Screamer<
24	214.718	Cylinder Head Gasket Reedster / OK / KZ 0.025

Reedster V OK_2023

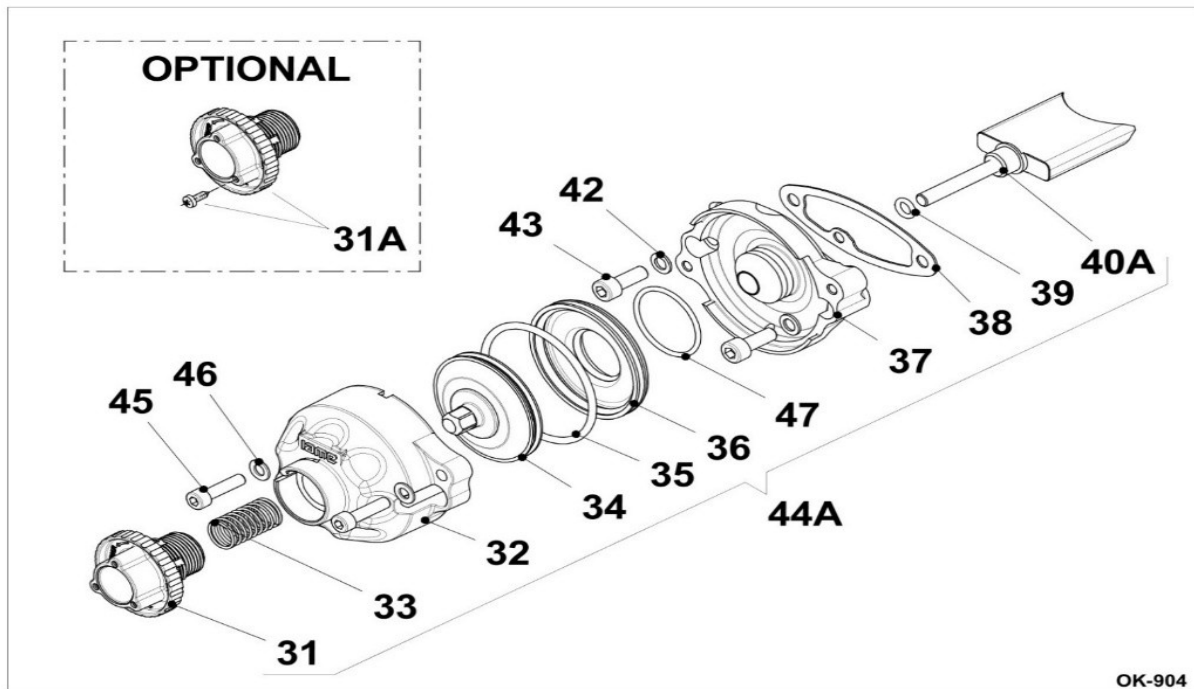
24	214.715	Cylinder Head Gasket Reedster / OK / KZ> 0.05
24	214.716	Cylinder Head Gasket Reedster / OK / KZ 0.10mm
24	214.717	Cylinder Head Gasket Reedster / OK / KZ 0.20
24	213.150	Cylinder complete Reedster V OK

Reedster V OK_2023

25A	#N/B	#N/B
GROUP	PISTON	
		
050	217.200	Pistonpin Parilla KZ / KF / OK / X30 Shifter
051	218.200	Circlip piston pin >X30 Super-Shifter-OK< >15mm<
052A	216.300	Piston + ring OK 53.77V
052A	216.302	Piston + ring OK 53.79V
052A	216.304	Piston + ring OK 53.81V
052A	216.306	Piston + ring OK 53.83V
052A	216.308	Piston + ring OK 53.85V
052A	216.310	Piston + ring OK 53.87V
052A	216.312	Piston + ring OK 53.89V
052A	216.314	Piston + ring OK 53.91V
052A	216.316	Piston + ring OK 53.93V
052A	216.305	Piston + ring OK 53.83R
052A	216.309	Piston + ring OK 53.85R
052A	216.313	Piston + ring OK 53.89R
052A	216.315	Piston + ring OK 53.91R

Reedster V OK_2023

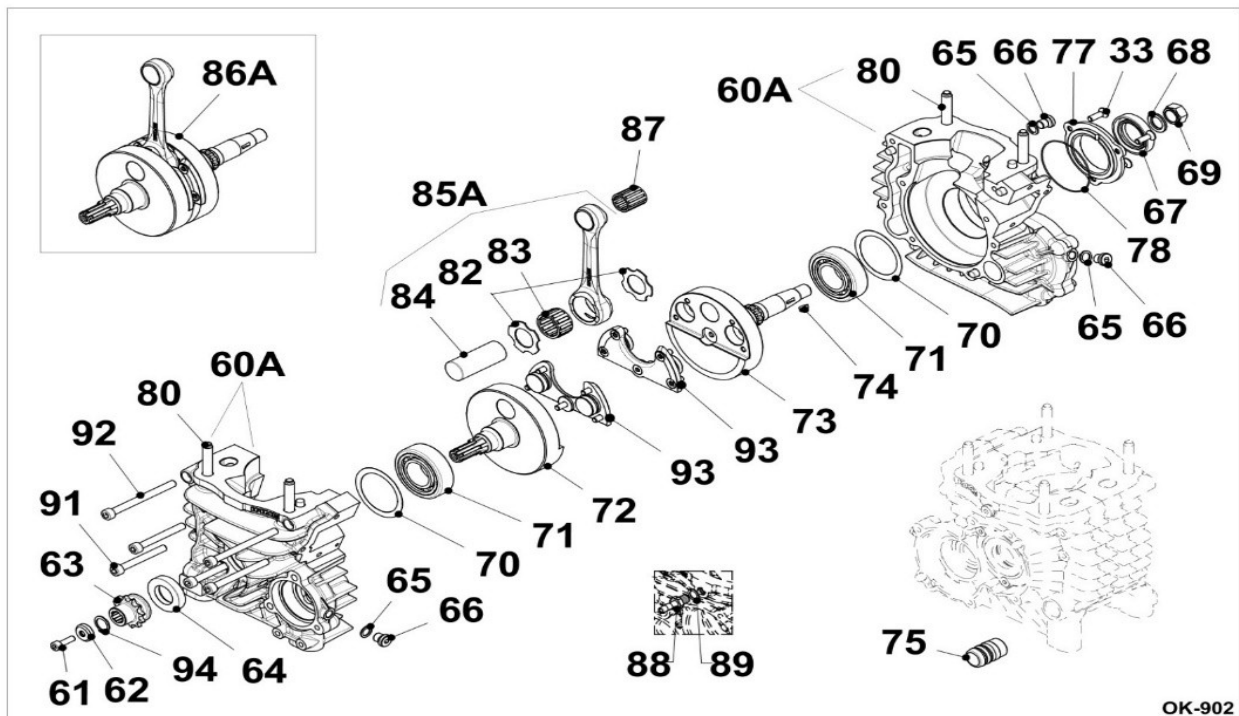
052A	216.317	Piston + ring OK 53.95V
GROUP		EXHAUST VALVE



031	#N/B	#N/B
032	213.266	Power valve cover OK '19
033	213.269	Power valve spring OK '19
034	#N/B	#N/B
035	213.271	Power valve veer voor zuiger >OK<
036	#N/B	#N/B
037	#N/B	#N/B
038	213.277	Power valve gasket '21 OK
039	213.280	Power valve OR 6x2 metric 70Sh OK '21
040A	#N/B	#N/B
042	282.200	Cupper gasket 6mm
043	903.026	KIT OF 20 ALLEN SCREWS 6X20
044A	213.292	Power valve complete >Reedster V OK 24<
045	903.000	Kit 20 pcs. screws TCCE 5x20
046	900.002	Washer Ø 5mm

Reedster V OK_2023

047	213.293	Power valve diaphragm o-ring OK
GROUP		CRANCKCASE



OK-902

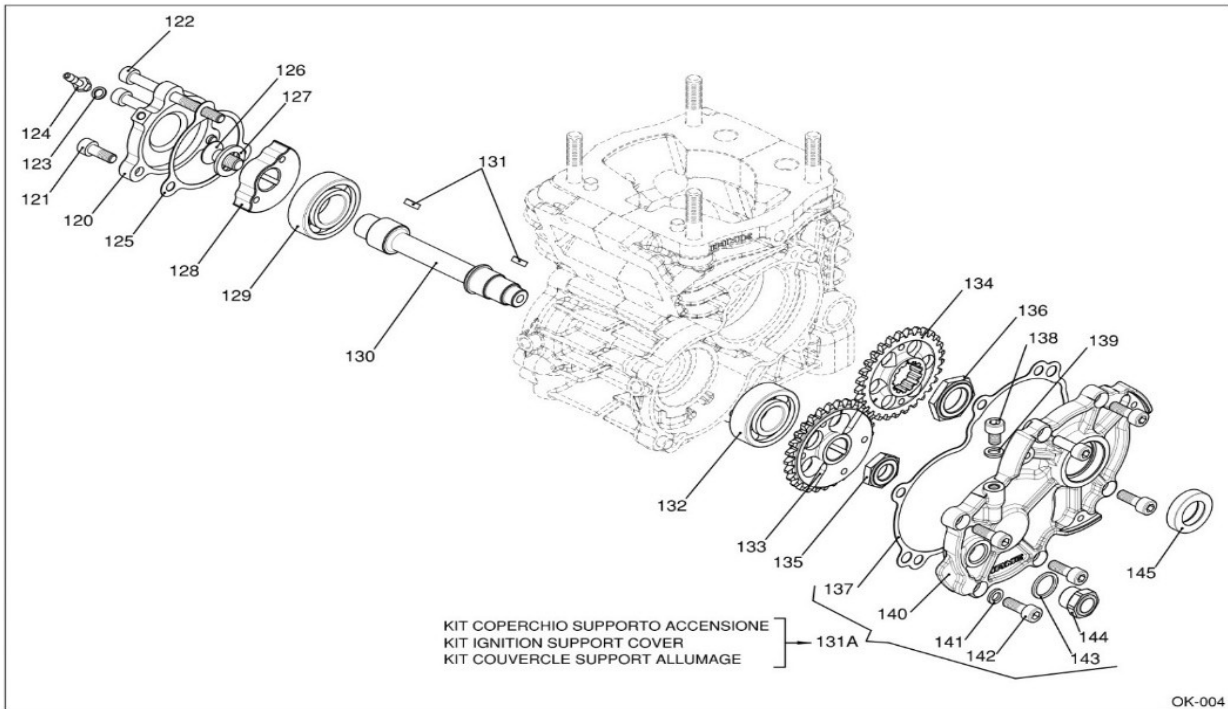
033	900.290	Screw TS TORX 5x16
060A	236.341	Crankcase >Reedster OK '19<
061	243.592	Allen screw M5x16
062	243.590	Shoulder shim sprocket Reedster >OK / OKJ<
063	243.007	Sprocket Reedster OK / OKJ 11-T
063	243.009	Sprocket Reedster OK / OKJ 12-T
063	243.011	Sprocket Reedster OK / OKJ 13-T
063	243.003	Sprocket Reedster OK / OKJ 9-T
063	#N/B	#N/B
063	243.005	Sprocket Reedster OK / OKJ 10-T
064	#N/B	#N/B
065	282.304	Oil breather washer
066	236.350	Oil plug >OK / KZ <
067	223.510	Oil seal 25x40x7 >Dr.+Magn. side< X30+KF+OK
068	290.880	Thrust washer internal 1.8mm
069	244.000	Sprocket / magneto nut (100 / 135cc)
070	KA38	STEEL SHIM 0.15
070	225.100	Shim 52x0.10
071	224.110	Crankshaft bearing roller type 6205 BC-1
072	226.501	Half crankshaft drive side >Reedster V OK '19<
073	226.506	Half crankshaft ignition side >Reedster V OK '19<<
074	227.040	Key 3x3.7x9.66
075	213.220	Hose connection Parilla X30 - OK'19 - OKJ'19
077	236.335	Oil seal support >OK<
078	236.337	Oil seal support o-ring >OK<
080	276.200	Cylinder head stud M8x35 >S.Shifter / OK / OKJ / Screamer

Reedster V OK_2023

082	KA44	SILVER BRONZE WASHER
083	221.200	Big-end cage >X-30 / OK / KF / KZ<
084	220.106	Crankpin 20x48.8 OK-OKJ >S1699/1<
085A	219.400	Conrod compleet 104mm >OK / OKJ<
086A	226.141	Crankshaft complete >Reedster V OK '19<
087	277.205	Little end cage >X30 Shifter / KZ / OK<
088	282.304	Oil breather washer
089	282.306	Oil breather >OK<
091	900.239	Hexagon socket bolt 6x50
092	900.312	Allen screw 6X65
093	226.816	Plastic stuffer >Reedster V OK-OKJ<

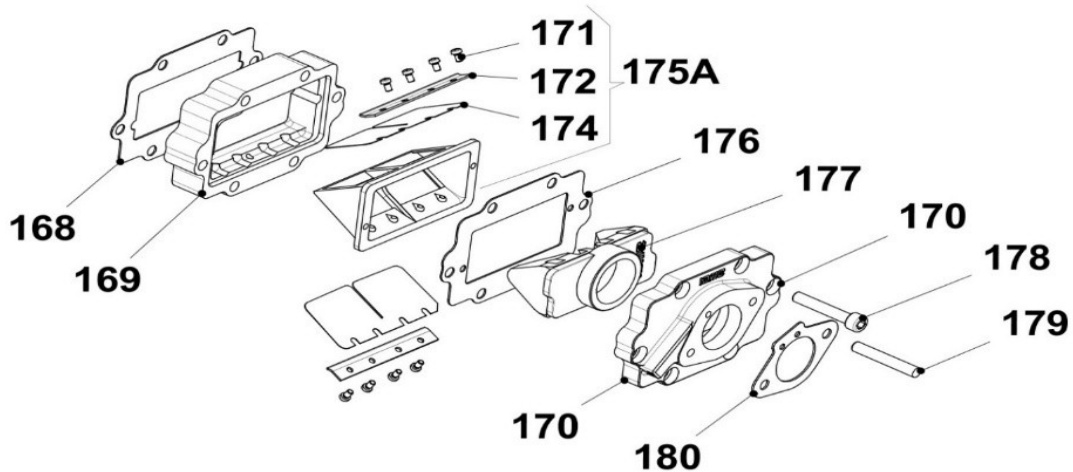
Reedster V OK_2023

094 243.591 Seeger for front sprocket Reedster V



120	#N/B	#N/B
121	900.301	Hexagon socket bolt 6x20
122	900.312	Allen screw 6X65
123	282.304	Oil breather washer
124	#N/B	#N/B
125	282.308	Balance mass cover gasket >OK - OKJ<
126	900.315	Countersunk screws 8x20
127	282.312	Balance mass washer (127) >OK - OKJ<
128	282.314	Balanced mass >OK<
129	224.020	Ball bearing balance shaft 6004 TN9/C4
130	282.318	Balance mass support shaft >OK / OKJ<
131	227.040	Key 3x3.7x9.66
131A	#N/B	#N/B
132	282.057	Ball bearing balance shaft 6203 >X30 Super / OK - OKJ<
133	282.322	Mass driven gear >OK - OKJ<
134	282.324	Gear crankshaft / balance shaft >OK - OKJ<
135	282.326	Mass gear nut >OK<
136	282.328	Locking nut gear crankshaft / balance shaft >OK<
137	282.330	Cover gasket ignition side >OK / OKJ<
138	900.298	Allen screws 6x10
139	282.200	Cupper gasket 6mm
140	282.336	Gears cover >OK / OKJ<
141	282.200	Cupper gasket 6mm
142	900.301	Hexagon socket bolt 6x20
144	299.685	Oil level gauge >OK-OKJ-KZ<
145	223.550	Oil seal Reedster 17X28X6 >OK / OKJ<
GROUP		INLET

Reedster V OK_2023



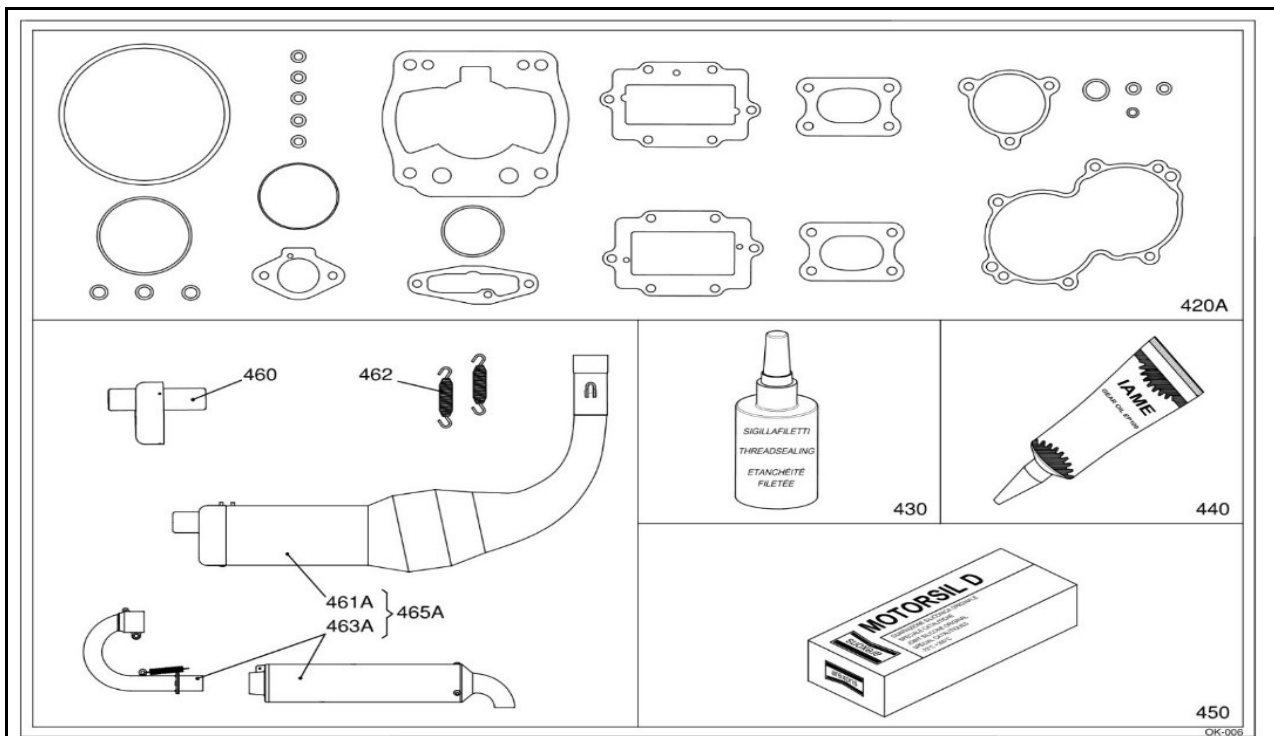
OK-905

168	228.115	Gasket reed block / crankcase >OK-OKJ<
169	228.400	Reed block flange holder >OK<
170	228.031	Conveyor >Reedster V OK<
171	228.260	Reed clip screw >X30<
172	228.255	Reed group clip >OK / OKJ<
174	228.225	Reed petal set carbon 0.26 >OK<
175A	228.405	Reed group complete >Reedster V OK<
176	228.117	Gasket reed group / conveyor >Reedster V OK-OKJ<
177	228.402	Reed Group insert >Reedster V OK-OKJ<
178	900.305	Hexagon socket bolt 6x35

Reedster V OK_2023

179	266.015	Exhaust studbolt 6x34
180	354.060	Inlet gasket X30 28mm >RED<
GROUP		IGNITION
OK-007		
250	330.803	Ground cable Parilla all models
260	503.051	Spark plug >NGK BR10EG<
261	237.505	Spark plug cap PVL >X30 / MINI<
270	900.301	Hexagon socket bolt 6x20
271	900.004	Washer 6-12x1,5mm
272	335.108	Silent block battery support X30-2015 / OK
273	330.100	Coil / electronic box Reedster >OK<
275	KA79	20 SELF LOCKING NUTS KIT M6
276A	330.110	Ignition PVL >OK / OKJ<
277	903.000	Kit 20 pcs. screws TCCE 5x20
278	330.114	Lock washer M5 for stator
280	330.115	Coil bracket >OK / OKJ<
281	226.512	Rotor security locking nut
GROUP		EXHAUST SYSTEM & GASKETS

Reedster V OK_2023



420A	214.921	Gasket set Reedster V OK
430	575.005	Pipe fitting seal >IAME<
440	550.571	PM Xeramic® Kart Gear Oil 1 l
450	575.000	Silikon 250 special gasket
460	267.505	Silencer end Parilla >OK<
461A	267.301	Exhaust Reedster OK V T23

Reedster V OK_2023

.	280.208	Exhaust spring >MRC-F3 / OK / GR-3<
GROUP	TOOLS	
600	KA82	PISTON STROKE LOCKER
601A	573.515	Gear puller balance shaft >REEDSTER KF<
602	574.035	Piston pin punch >15mm Super Shifter<
603A	#N/B	#N/B
603B	#N/B	#N/B
604	573.520	Bearing ring puller 6205
605	572.045	Ignition puller PVL >REEDSTER OK / OKJ<

Reedster V OK_2023

606	574.037	Circlip assembly tool 15mm
GROUP		Cranksh.Ass./Disass. Timing control group

650	574.101	Crankshaft assembly tool
652	574.103	Crankpin bush >X-30 - KF - KZ<
661	574.104	Crankpin pusher
663	574.117	Crankshaft plate >X-30 / KF / KZ<
664	574.115	Crankshaft disassembling tool without plate
668	#N/B	#N/B
690A	KA86	TIMING CHECK DISC TaG/REEDSTER
691A	#N/B	#N/B